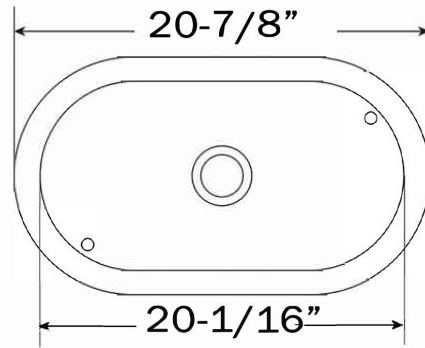
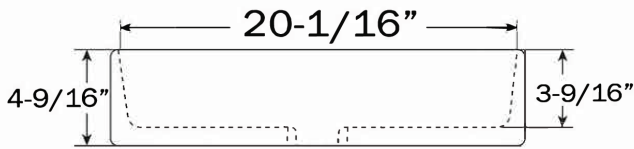


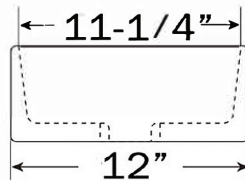
TOP VIEW



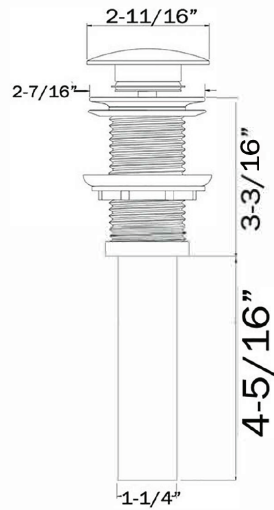
BOTTOM VIEW



FRONT VIEW



SIDE VIEW



DRAIN VIEW

All dimensions are approximate. Structure measurements must be verified against the unit to ensure proper fit.