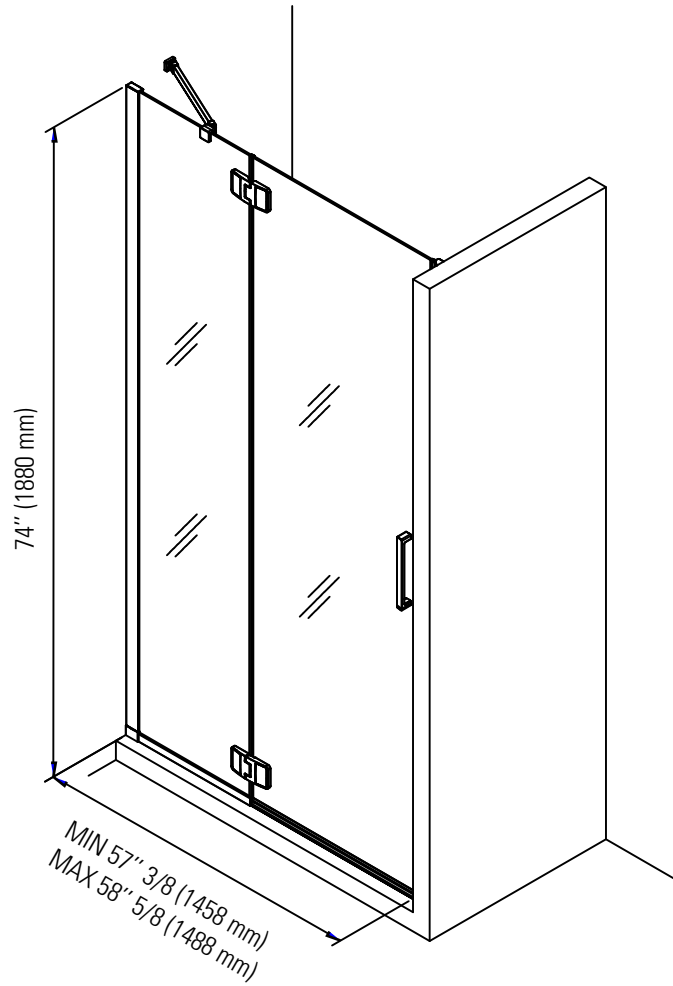




Produits Neptune

## AZELIA 60

Shower door



\*All dimensions are approximate and subject to change without notice.  
Please refer to the installation guide before beginning the installation.

6835 PICARD STREET  
SAINT-HYACINTHE, QUEBEC J2S 1H3  
CANADA

PHONE 450 773 7058  
FAX 450 773 5063  
TOLL-FREE CANADA 1 888 226 7099  
TOLL-FREE USA 1 888 226 7899

[produitsneptune.com](http://produitsneptune.com)

11-2016