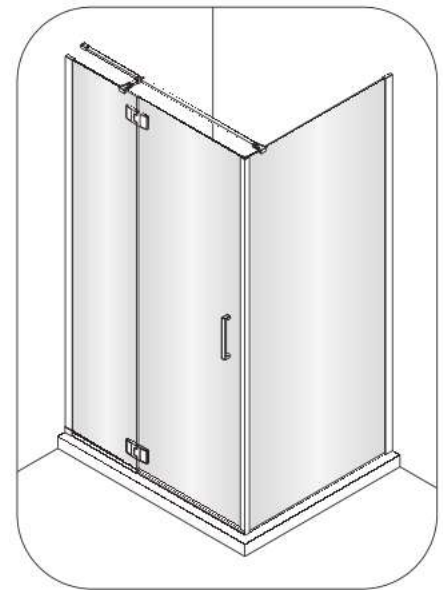




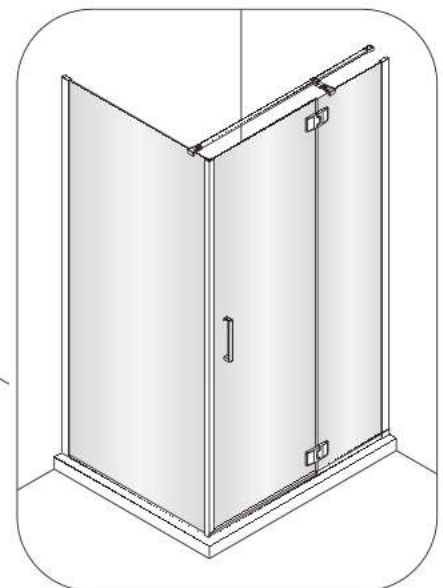
Produits Neptune

DESIGN AMÉLIORÉ
IMPROVED DESIGN

AZELIA 3636 - AZELIA 3642 - AZELIA 3248 - AZELIA 3648
AZELIA 3260 - AZELIA 3660
Guide d'installation / Installation manual



Gauche / Left



Droit / Right

6835, PICARD
SAINT-HYACINTHE (QUEBEC) J2S 1H3
CANADA

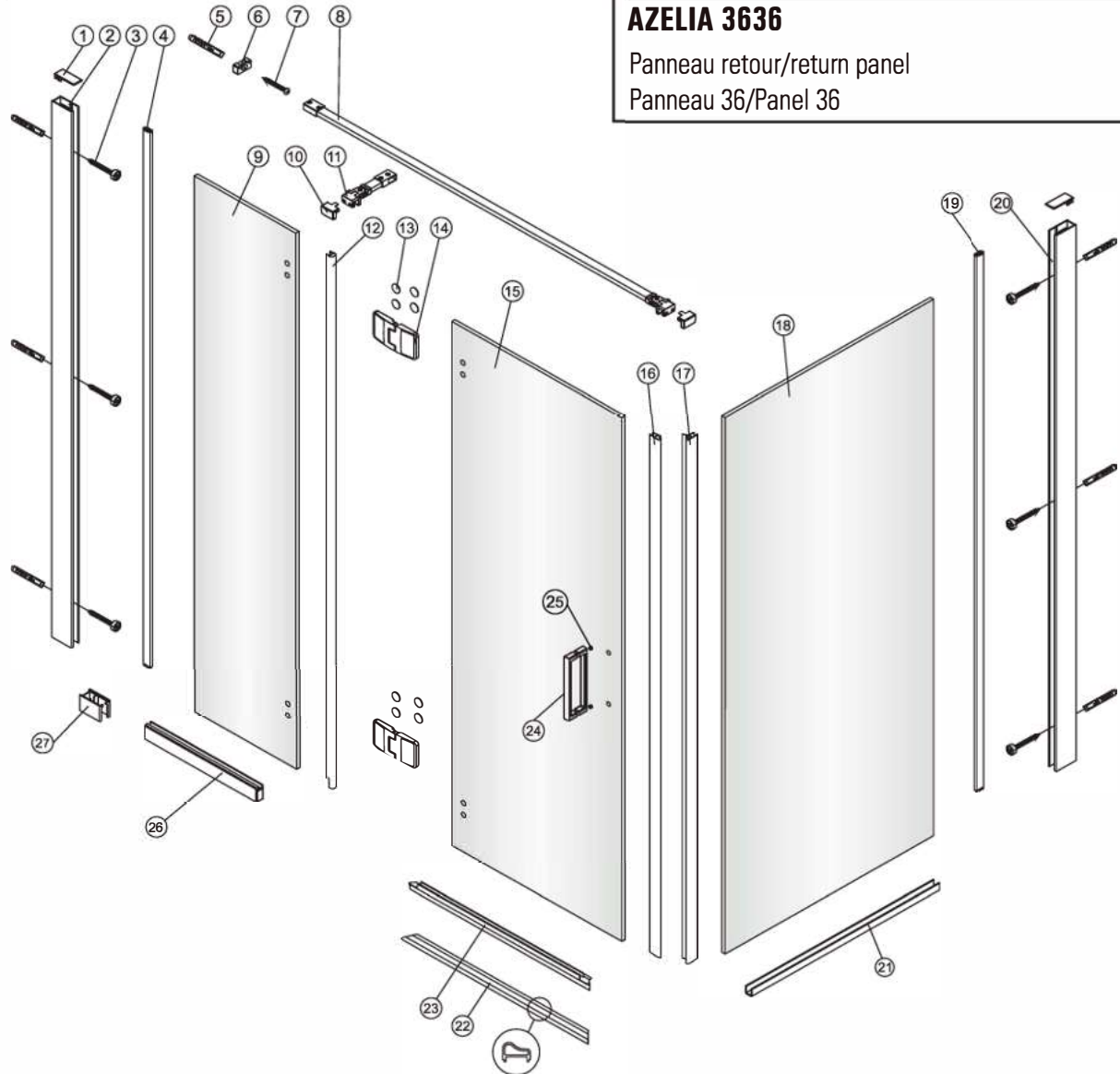
TELEPHONE : 450 773 7058
SANS FRAIS / TOLL FREE: 1 888 366 7058

produitsneptune.com

REV: 11-2024

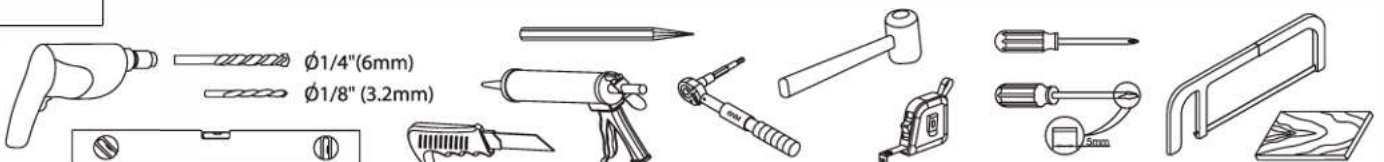
AZELIA 3636

Panneau retour/return panel
 Panneau 36/Panel 36



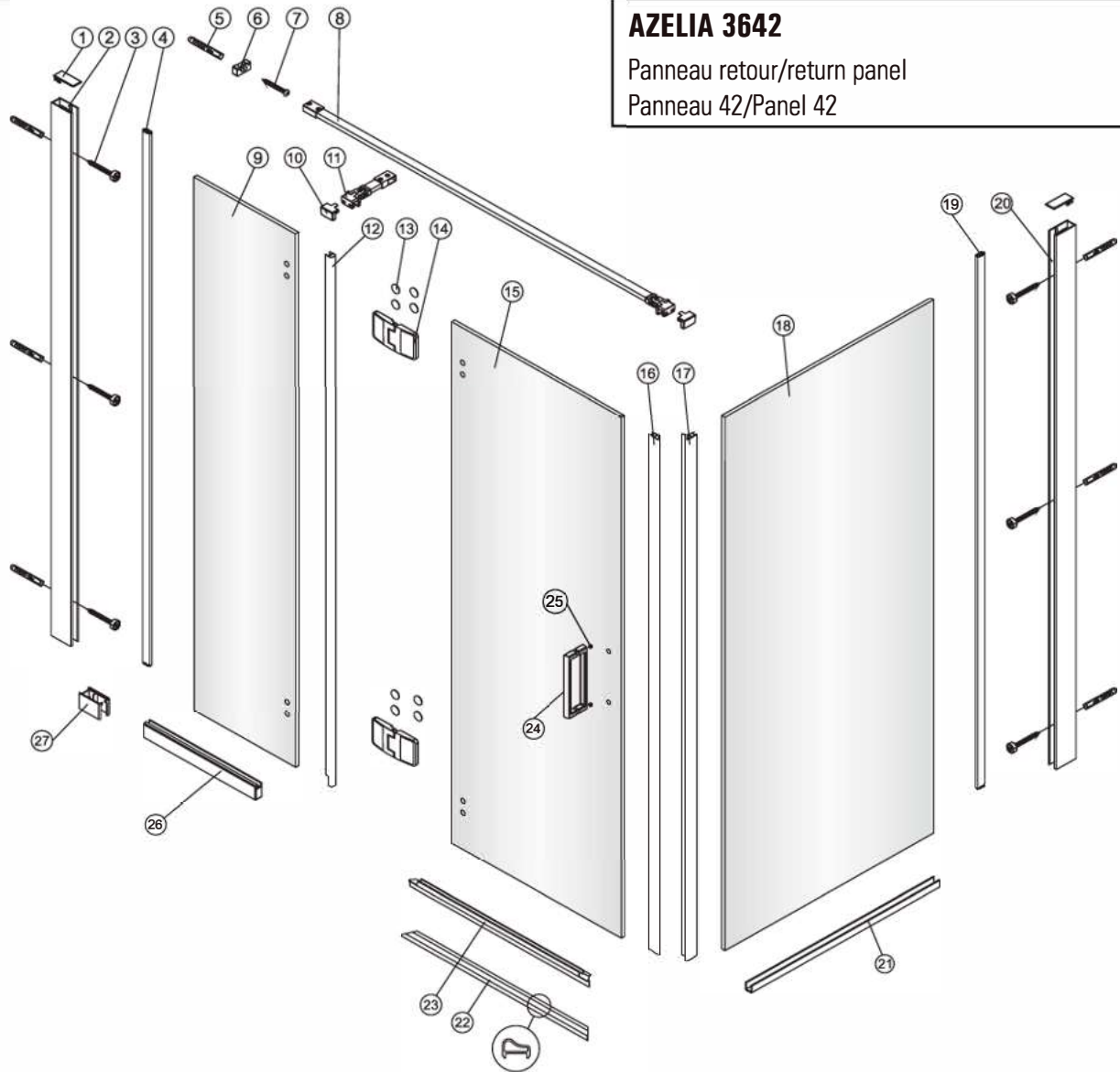
1 x2	2 x1	3 x6 ST4x60	4 x1	5 x7	6 x1	7 x1 ST4x60	8 x1	9 x1	10 x2
11 x1	12 x1	13 x8	14 x2	15 x1	16 x1	17 x1	18 x1	19 x1 L=1880	20 x1 L=1880
21 x1	22 x1	23 x1	24 x1	25 x1	26 x1	27 x1 Gauche/Left	28 x1 Droit/Right	29 x1	30 x1 4mm

31 x1 2mm	Matériel requis non-inclus/Required materials not included								
-----------------	--	--	--	--	--	--	--	--	--



AZELIA 3642

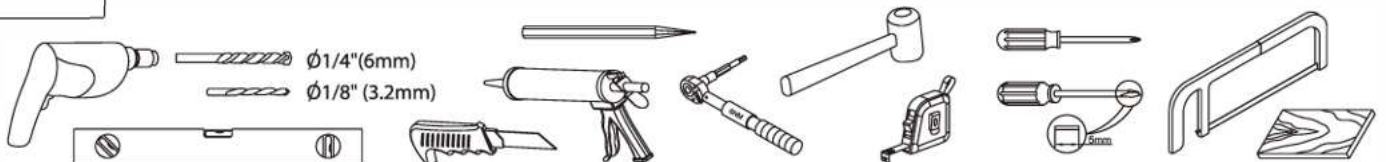
Panneau retour/return panel
 Panneau 42/Panel 42



1 x2	2 x1	3 x6 ST4x60	4 x1	5 x7	6 x1	7 x1 ST4x60	8 x1	9 x1	10 x2
11 x1	12 x1	13 x8	14 x2	15 x1	16 x1	17 x1	18 x1	19 x1 L=1880	20 x1 L=1880
21 x1	22 x1	23 x1	24 x1	25 x1	26 x1	27 x1 Gauche/Left	28 x1 Droit/Right	29 x1	30 x1 4mm

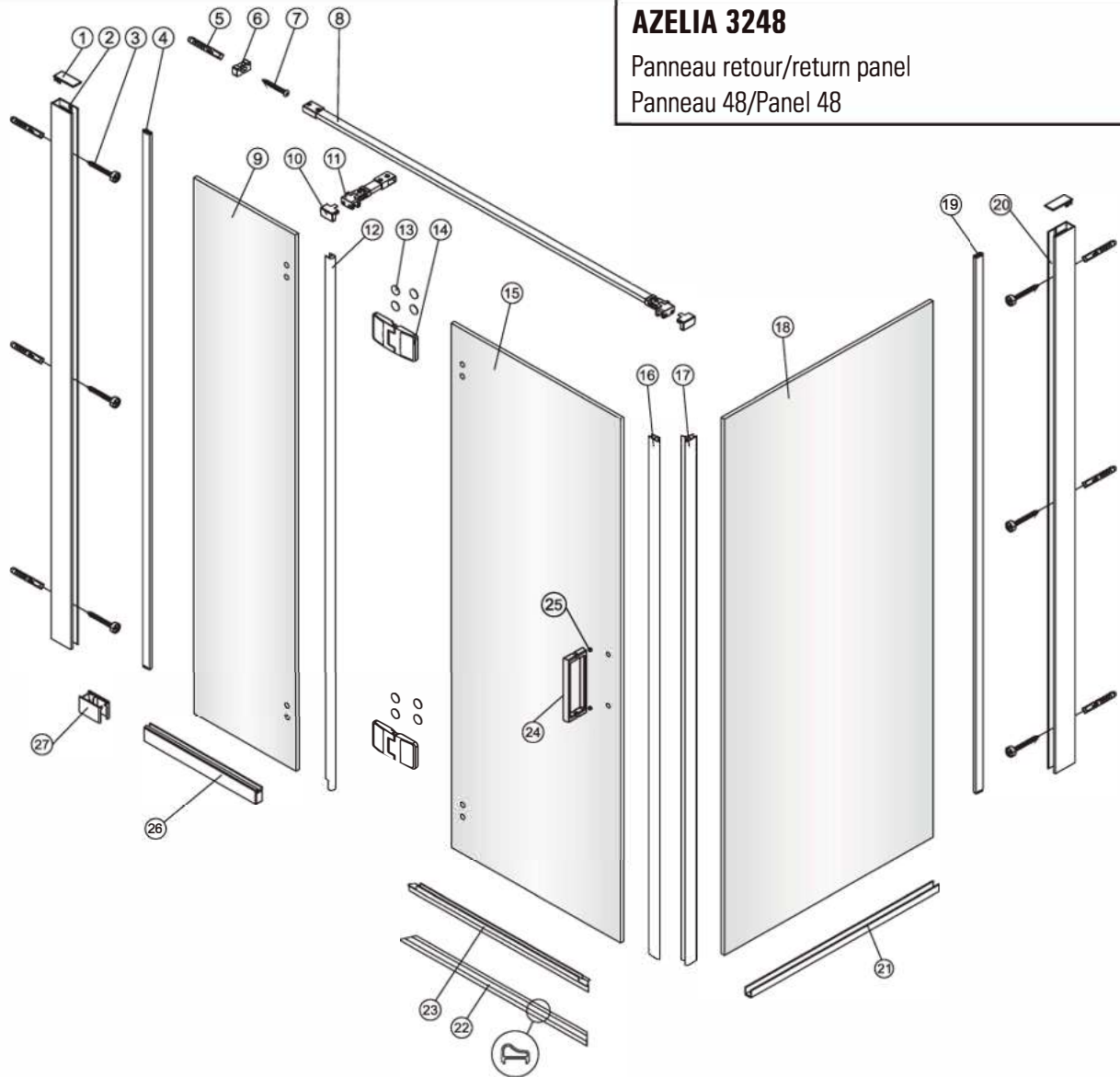
31 x1 2mm

Matériel requis non-inclus/Required materials not included



AZELIA 3248

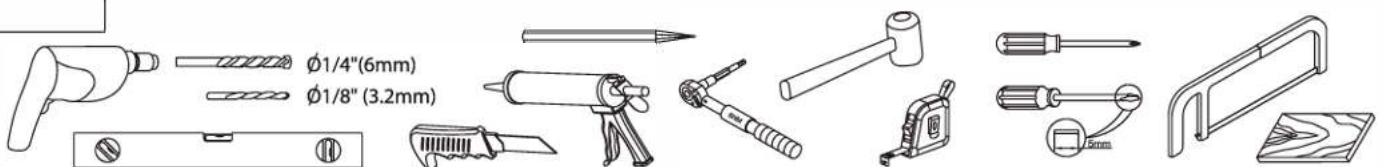
Panneau retour/return panel
Panneau 48/Panel 48



1 x2	2 x1	3 x6 ST4x60	4 x1	5 x7	6 x1	7 x1 ST4x60	8 x1	9 x1	10 x2
11 x1	12 x1	13 x8	14 x2	15 x1	16 x1	17 x1	18 x1	19 x1 L=1880	20 x1 L=1880
21 x1	22 x1	23 x1	24 x1	25 x1	26 x1	27 x1 Gauche/Left	28 x1 Droit/Right	29 x1	30 x1 4mm

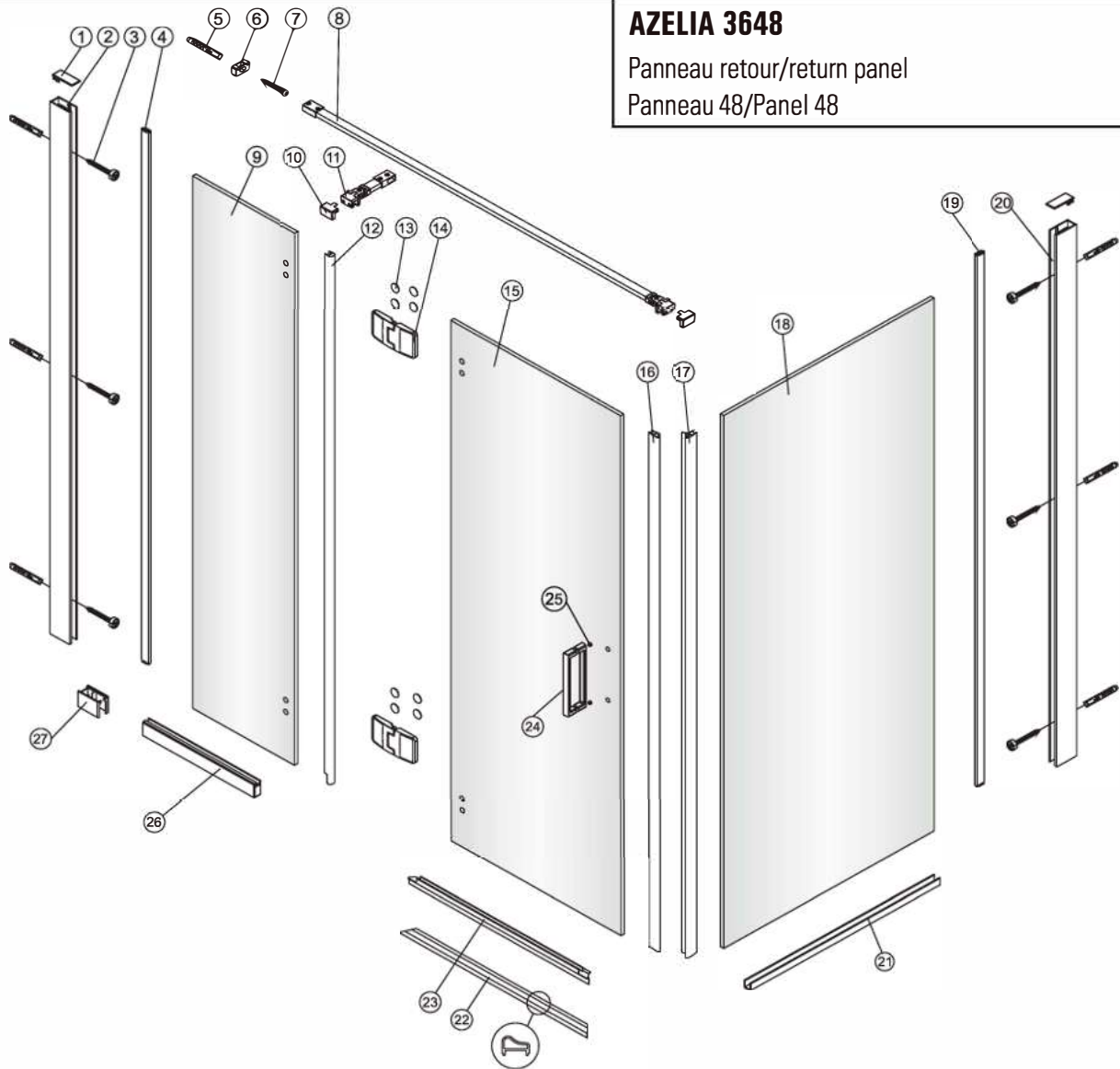
31 x1 2mm

Matériel requis non-inclus/Required materials not included



AZELIA 3648

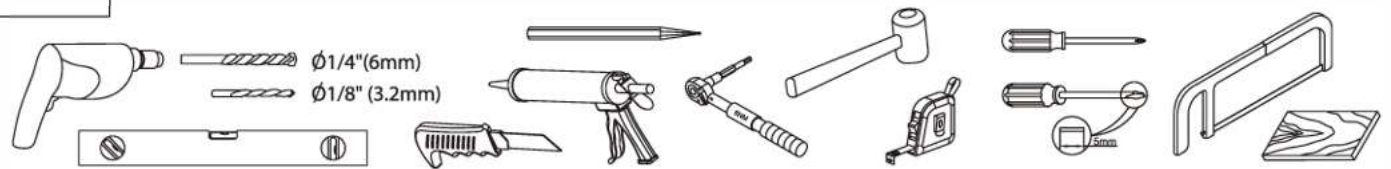
Panneau retour/return panel
Panneau 48/Panel 48



1 x2	2 x1	3 x6 ST4x60	4 x1	5 x7	6 x1	7 x1 ST4x60	8 x1	9 x1	10 x2
11 x1	12 x1	13 x8	14 x2	15 x1	16 x1	17 x1	18 x1	19 x1 L=1880	20 x1 L=1880
21 x1	22 x1	23 x1	24 x1	25 x1	26 x1	27 x1 Gauche/Left	28 x1 Droit/Right	29 x1	30 x1 4mm

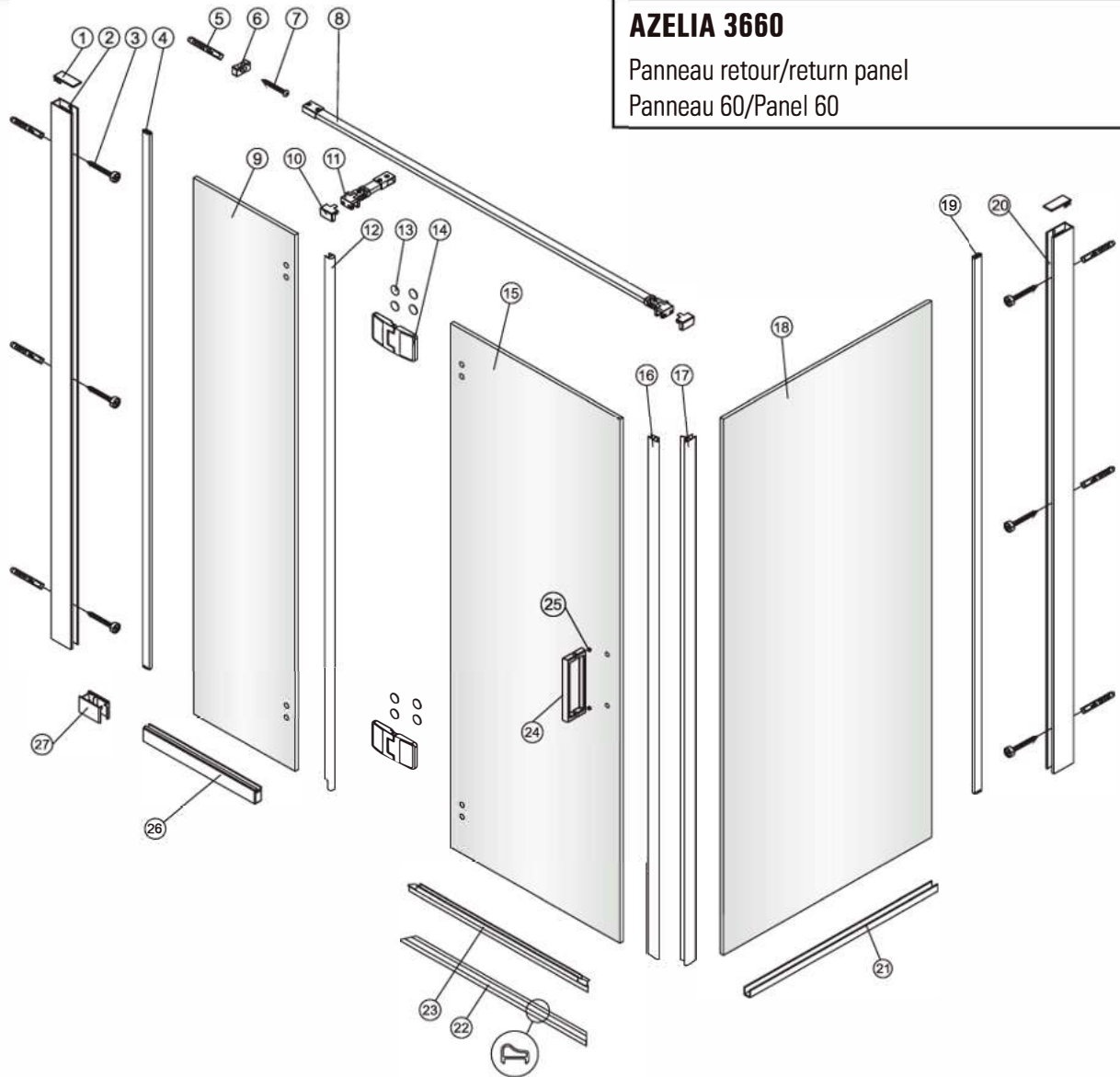
31 x1 2mm

Matériel requis non-inclus/Required materials not included



AZELIA 3660

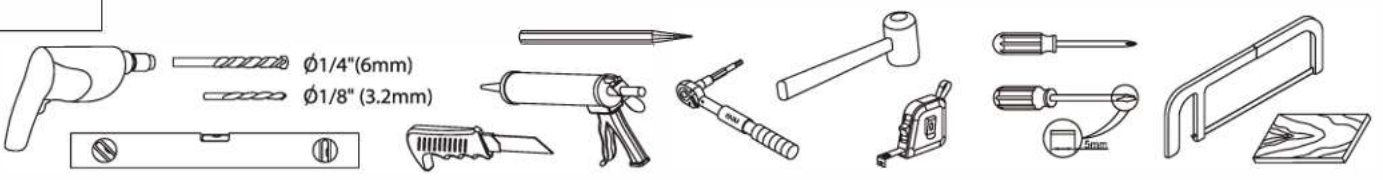
Panneau retour/return panel
Panneau 60/Panel 60

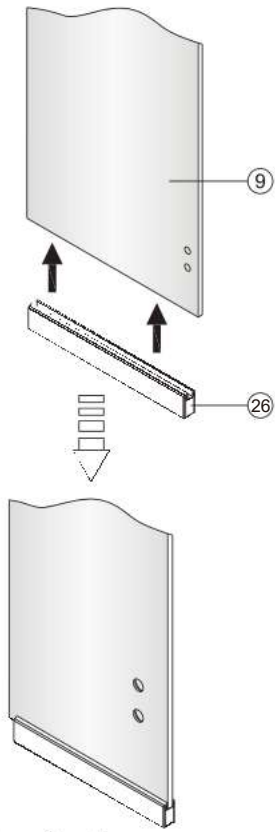


1 x2	2 x1	3 x6 ST4x60	4 x1	5 x7	6 x1	7 x1 ST4x60	8 x1	9 x1	10 x2
11 x1	12 x1	13 x8	14 x2	15 x1	16 x1	17 x1	18 x1	19 x1 L=1880	20 x1 L=1880
21 x1	22 x1	23 x1	24 x1	25 x1	26 x1	27 x1 Gauche/Left	28 x1 Droit/Right	29 x1	30 x1 4mm

31 x1	 2mm
----------	---------

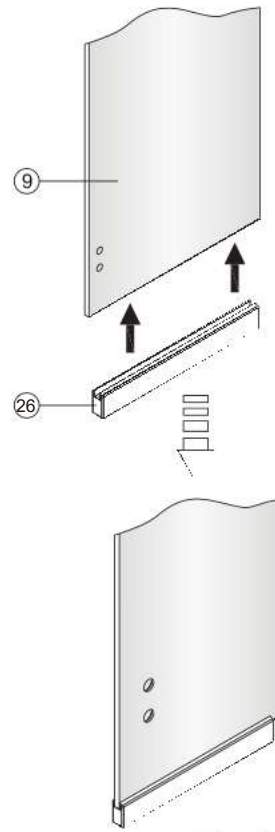
Matériel requis non-inclus/Required materials not included





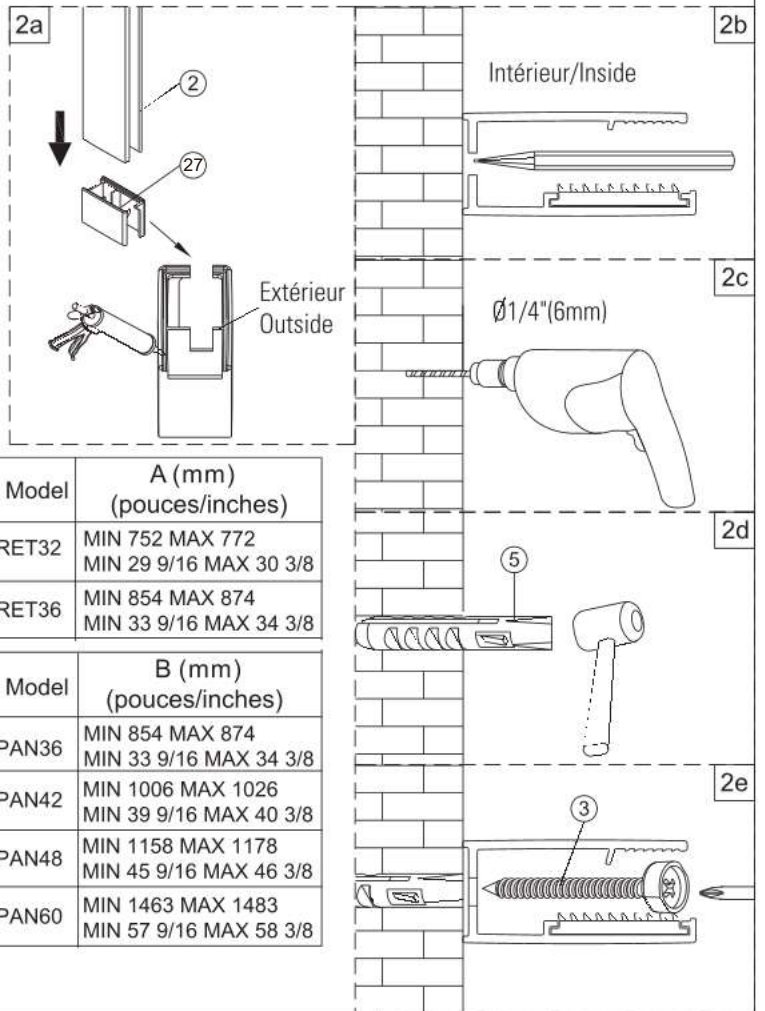
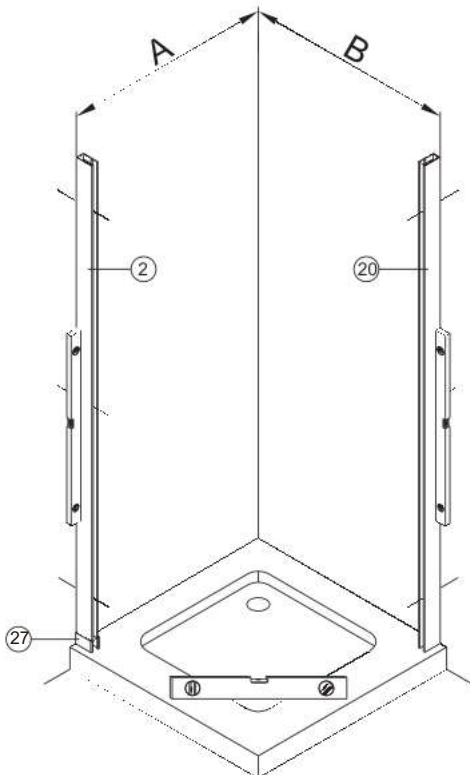
Gauche/Left

1



Droit/Right

2



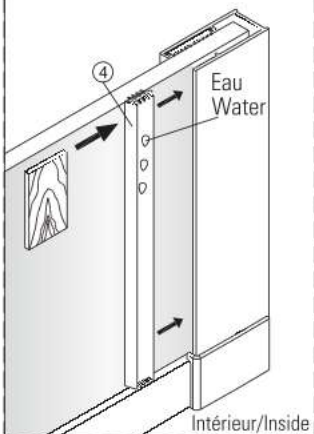
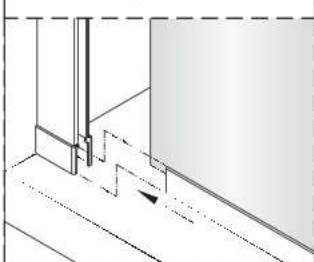
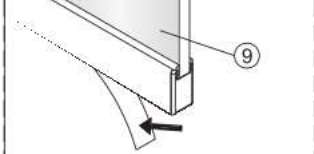
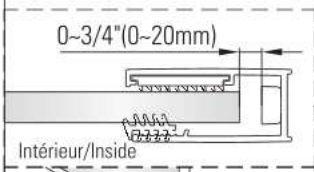
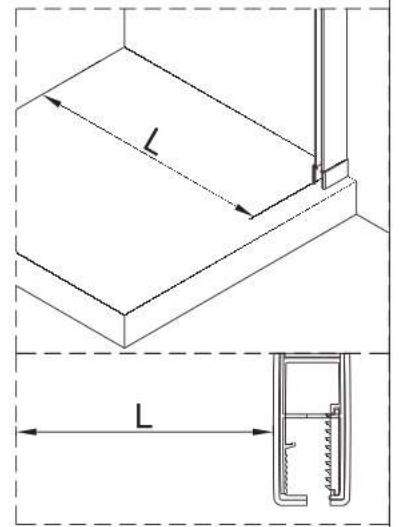
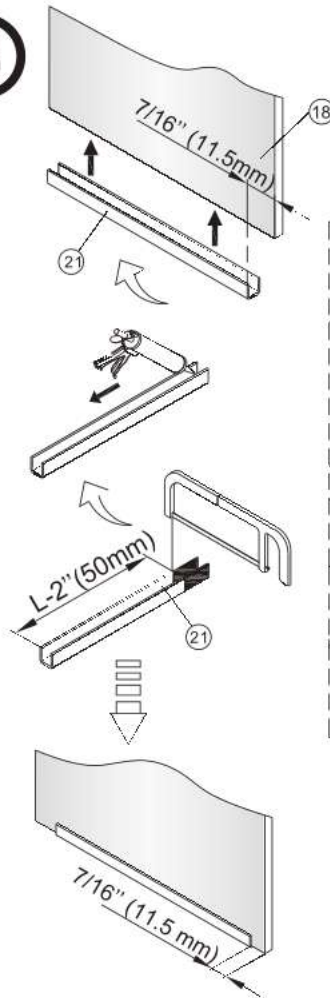
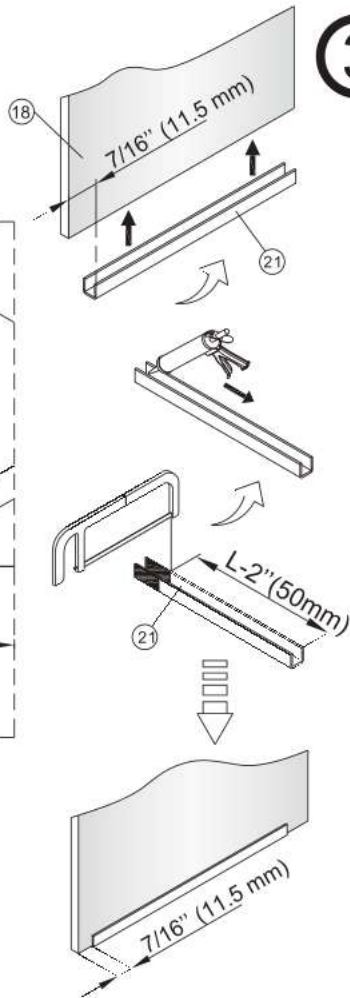
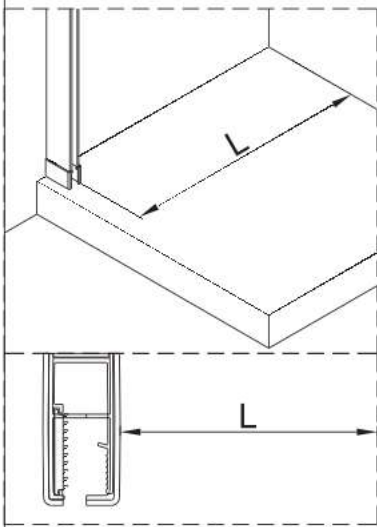
Modele / Model	A (mm) (pouces/inches)
AZELIA RET32	MIN 752 MAX 772 MIN 29 9/16 MAX 30 3/8
AZELIA RET36	MIN 854 MAX 874 MIN 33 9/16 MAX 34 3/8

Modele / Model	B (mm) (pouces/inches)
AZELIA PAN36	MIN 854 MAX 874 MIN 33 9/16 MAX 34 3/8
AZELIA PAN42	MIN 1006 MAX 1026 MIN 39 9/16 MAX 40 3/8
AZELIA PAN48	MIN 1158 MAX 1178 MIN 45 9/16 MAX 46 3/8
AZELIA PAN60	MIN 1463 MAX 1483 MIN 57 9/16 MAX 58 3/8

Gauche/Left

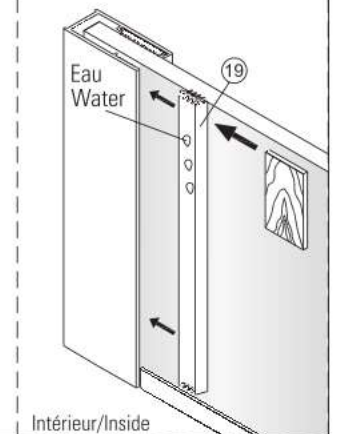
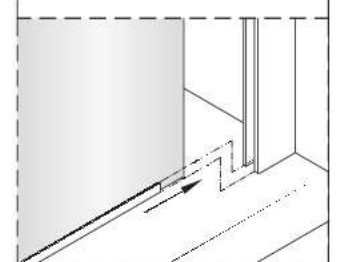
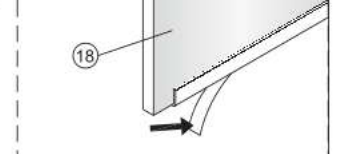
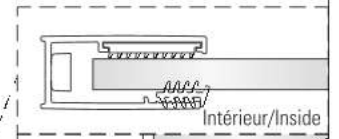
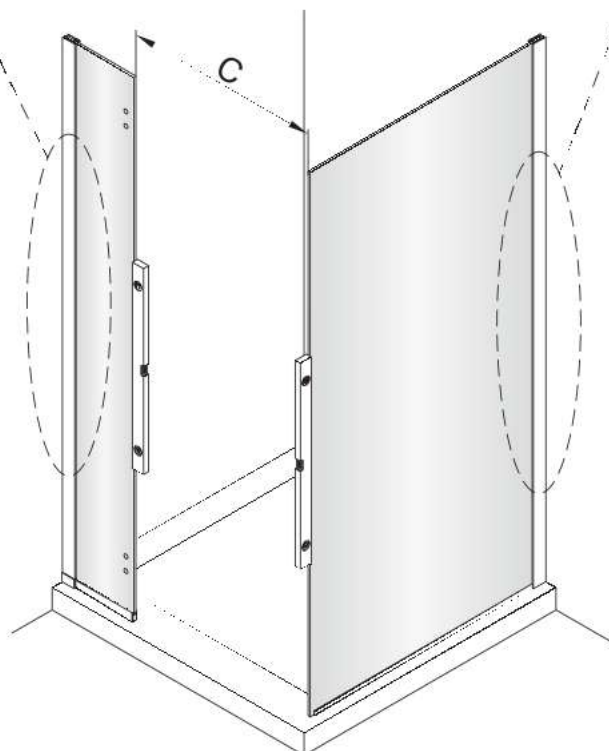
3

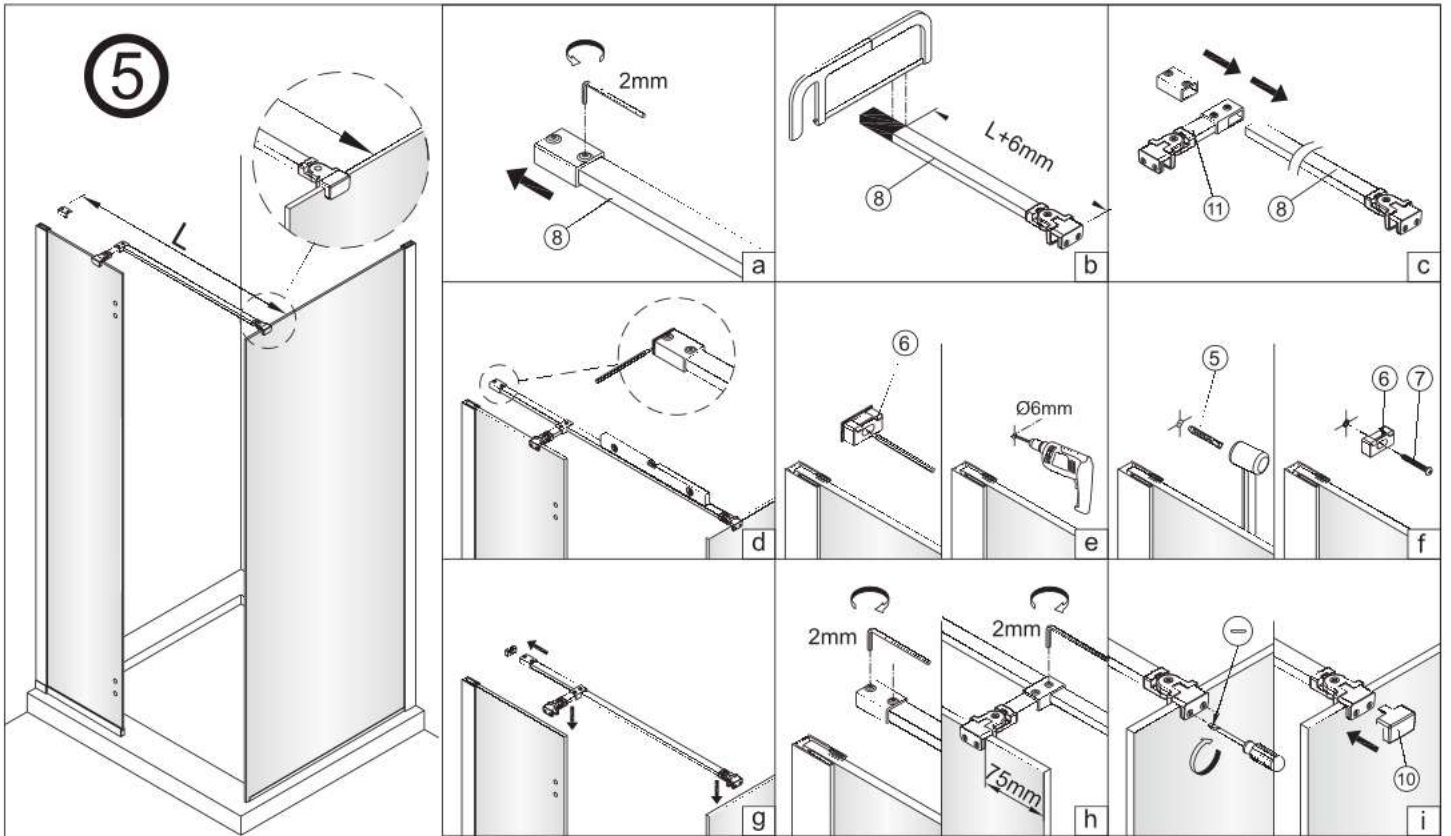
Droit/Right



4

Modèle/Model	C (mm) (pouces/inches)
AZELIA PAN36	614 mm 24 3/16"
AZELIA PAN42	614 mm 24 3/16"
AZELIA PAN48	614 mm 24 3/16"
AZELIA PAN60	664 mm 26 1/8"

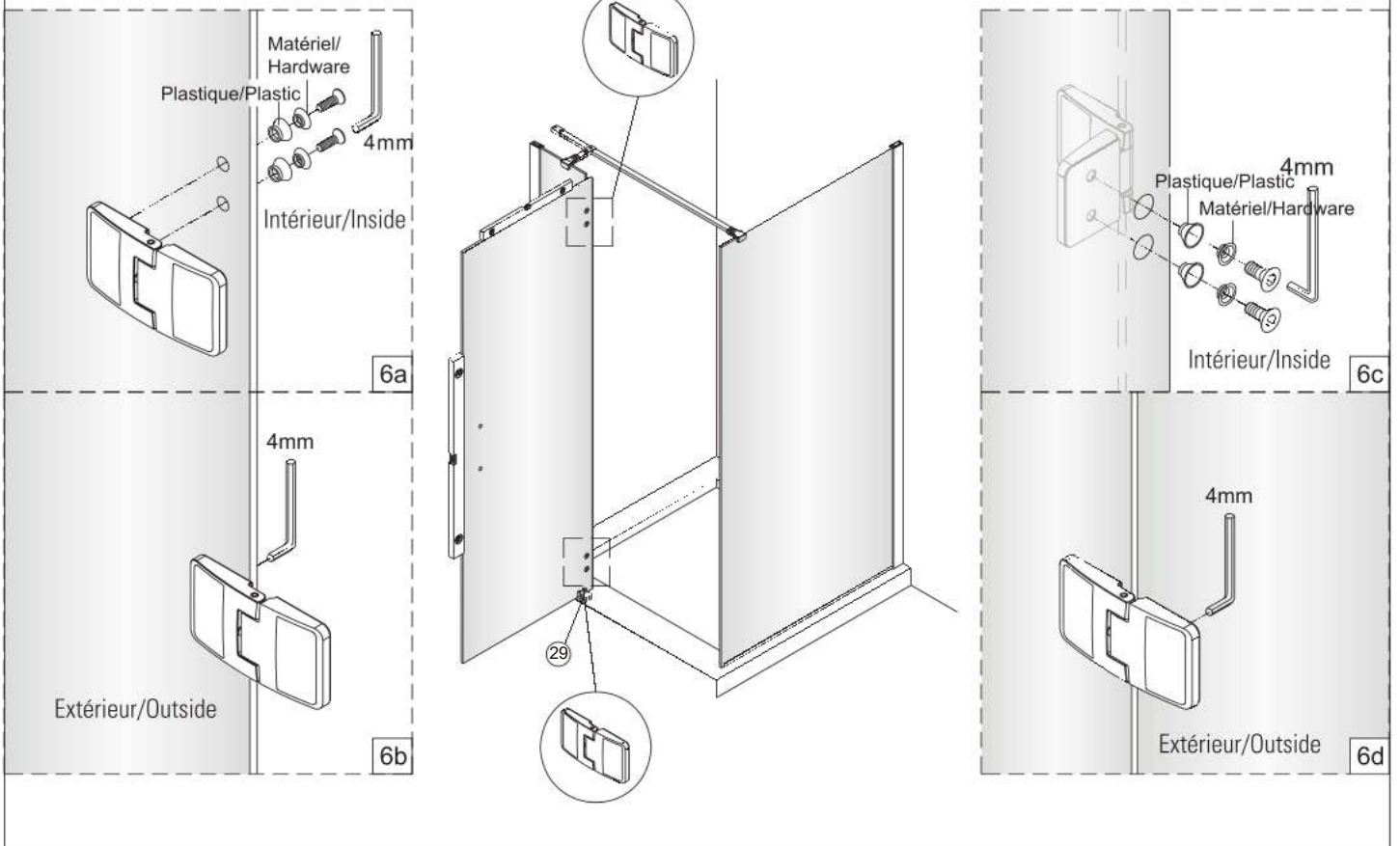




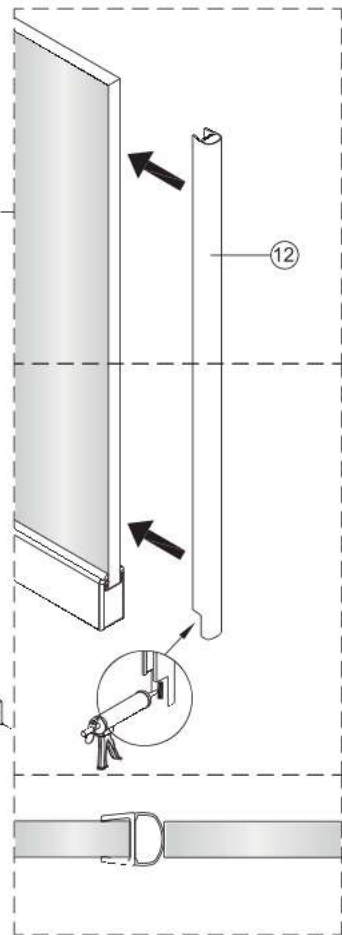
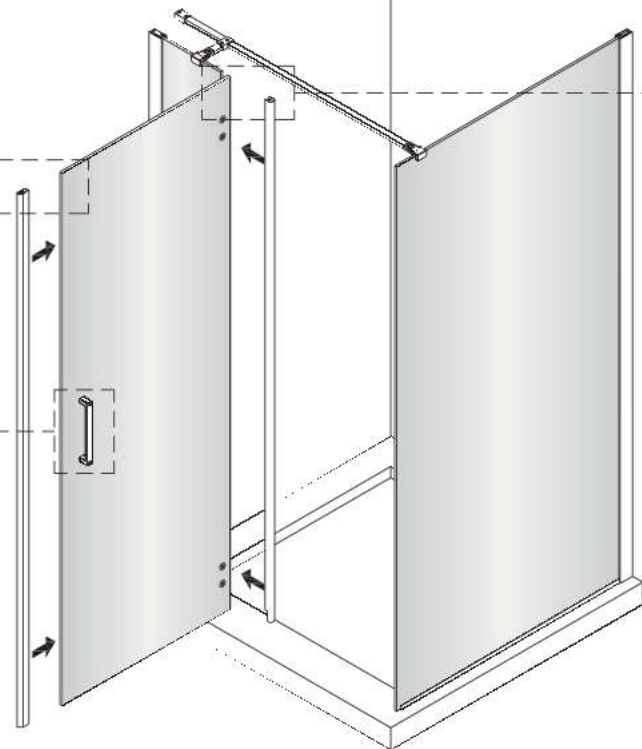
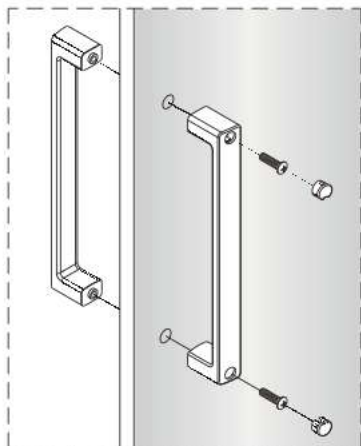
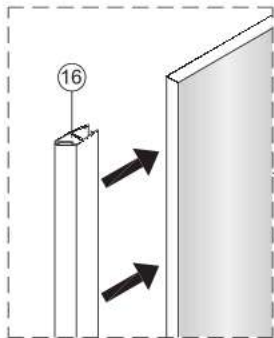
6



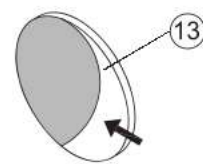
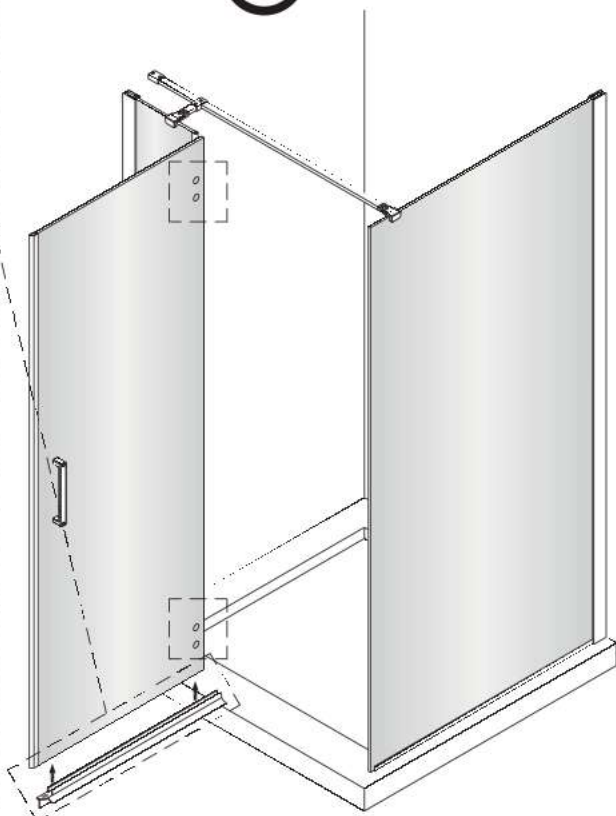
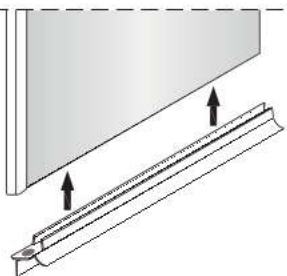
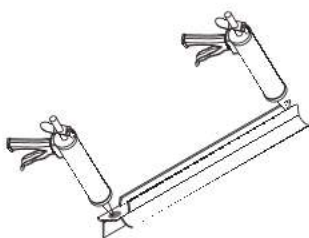
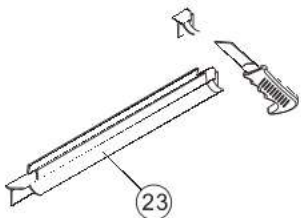
Tighten the screws with 4N.m



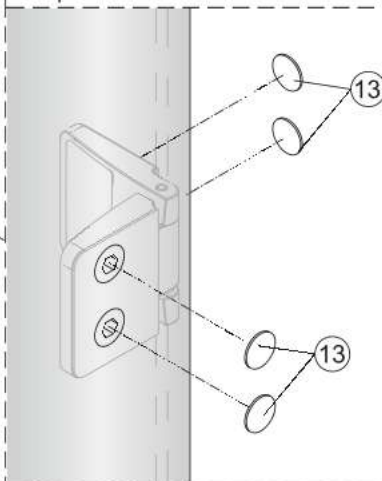
7



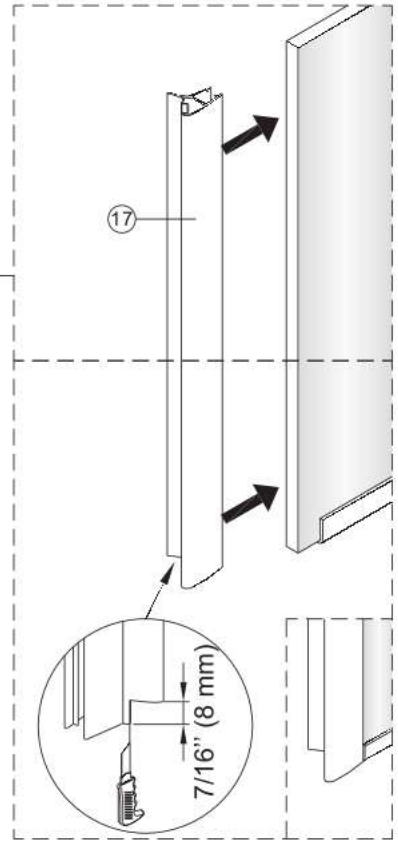
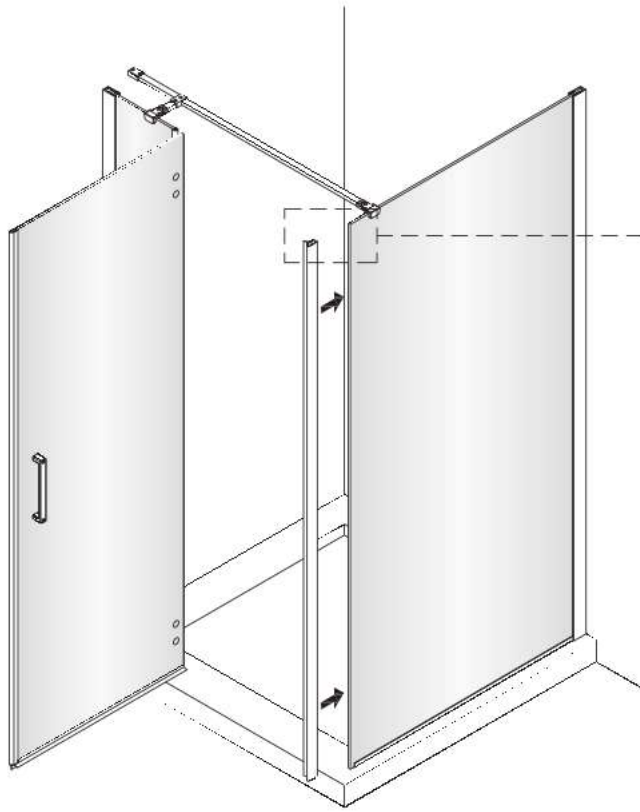
8



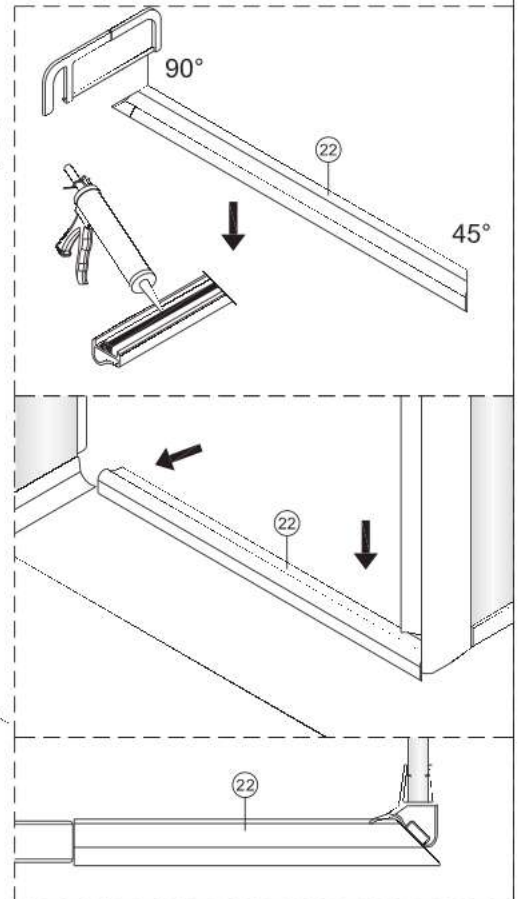
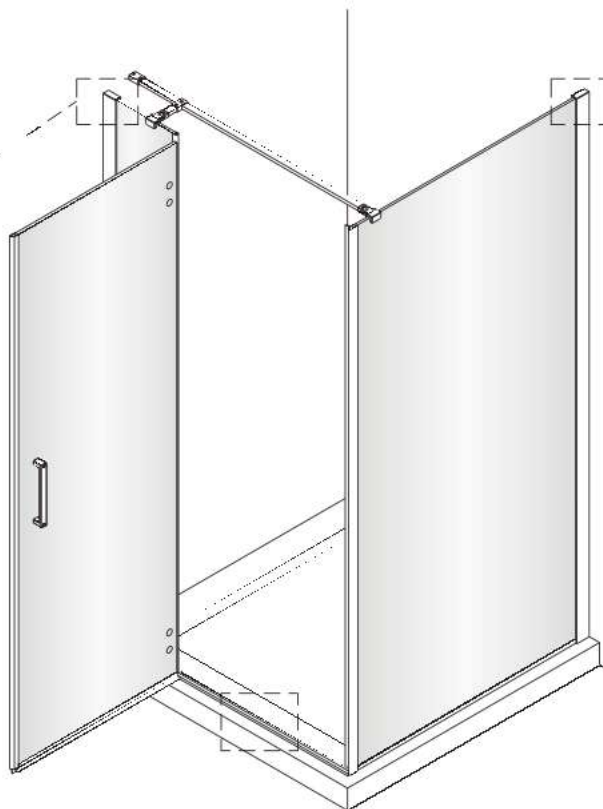
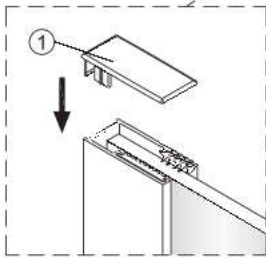
Ruban adhésif double-face /
Tear off double-sided adhesive
tape.



9



10



11

