

# AZELIA 48 X 74 IN.

45 3/8" - 46 5/8" x 74" Shower Door



FRAME FINISH(ES)	GLASS FINISH(ES)	SIZE(S)
Chrome	Clear	33 3/8 - 34 5/8 39 3/8 - 40 5/8 45 3/8 - 46 5/8 57 3/8 - 58 5/8

## FEATURES

- 6 mm tempered glass panels
- Reversible, allowing for left or right opening to accommodate different bathroom layouts
- Pivoting door provides a wide opening for ease of access in and out of the shower
- Cutting-edge protector repelling water and dirt, allowing easy cleaning and increasing the lifespan of your shower doors.
- Shower Door for Alcove Installation

## ATTRIBUTES

- Installation Type : Alcove
- Material : Tempered Glass
- Door Type : Pivot
- Commercial Warranty : 1 Year

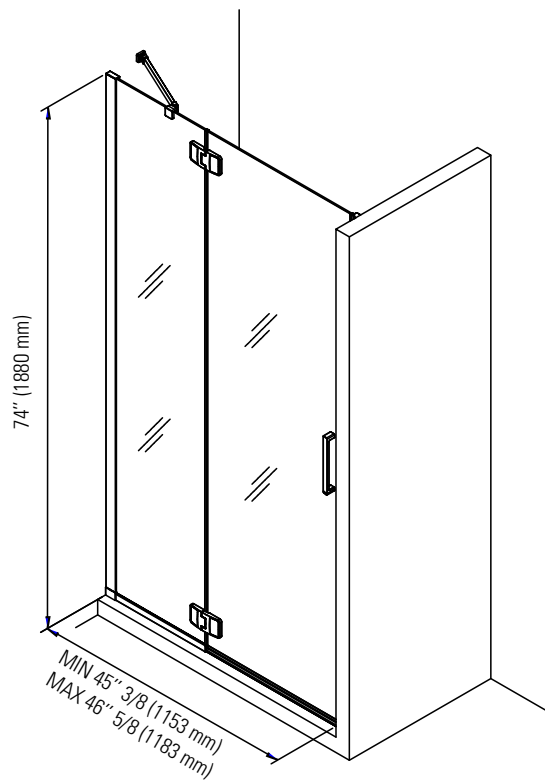




**Produits Neptune**

## AZELIA 48

Shower door



\*All dimensions are approximate and subject to change without notice.  
Please refer to the installation guide before beginning the installation.

6835 PICARD STREET  
SAINT-HYACINTHE, QUEBEC J2S 1H3  
CANADA

PHONE 450 773 7058  
FAX 450 773 5063  
TOLL-FREE CANADA 1 888 226 7099  
TOLL-FREE USA 1 888 226 7899

[produitsneptune.com](http://produitsneptune.com)

11-2016



## TECHNICAL SPECIFICATIONS

45 3/8" - 46 5/8" x 74" Shower Door

### DIMENSIONS

PRODUCT LENGTH	PRODUCT HEIGHT	WEIGHT	SHIPPING LENGTH	SHIPPING WIDTH
46 5/8"	74"	83 Lbs	27"	3"
SHIPPING HEIGHT				
77"				

Project:

Contractor:

Representative:

Date:

Tel:

Notes: